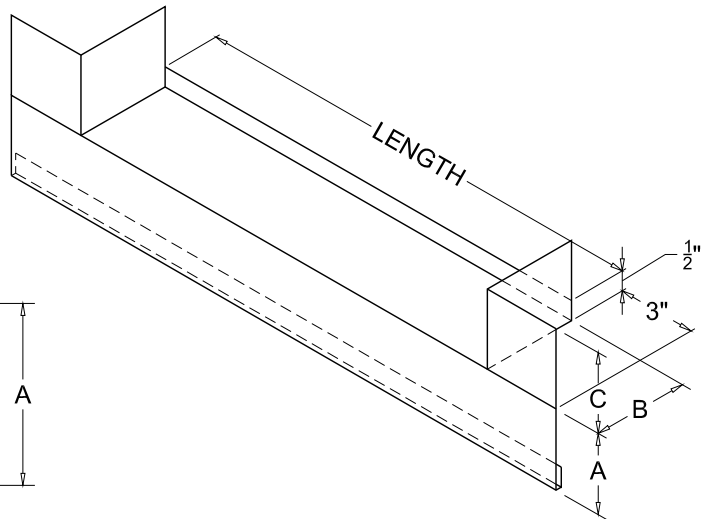
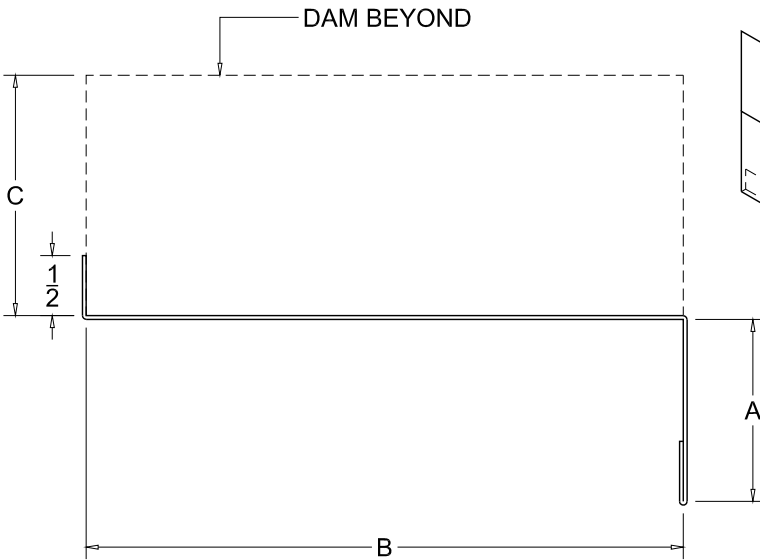


P.O. No.: \_\_\_\_\_

Customer: \_\_\_\_\_ Contact: \_\_\_\_\_ Date: \_\_\_\_\_

Job Name: \_\_\_\_\_ Material: \_\_\_\_\_

SOLDER ALL CONNECTIONS



MARK	QTY	A	B	C	LENGTH

**SILL FLASHING**  
**ALL DIMS I.D.**  
**LENGTHS UP TO 120"**

**MATERIAL**

- 20 OZ COPPER
- 24 GA GALVANIZED STEEL
- 24 GA TYPE 316 2B STAINLESS STEEL