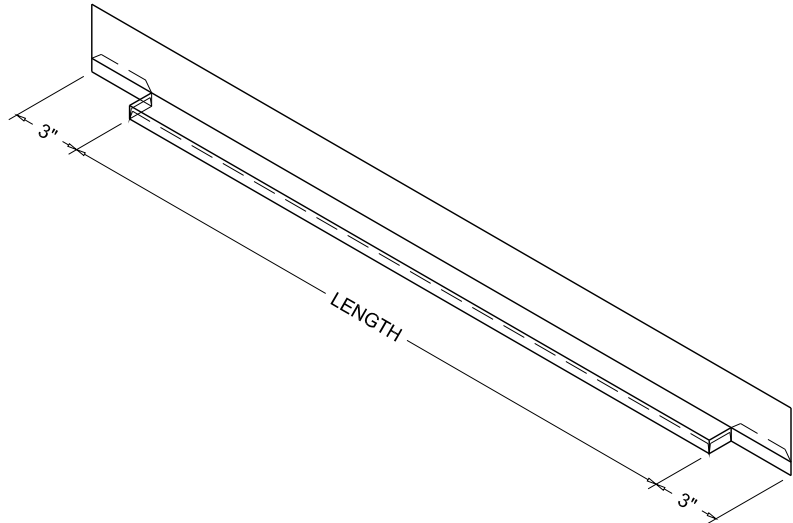
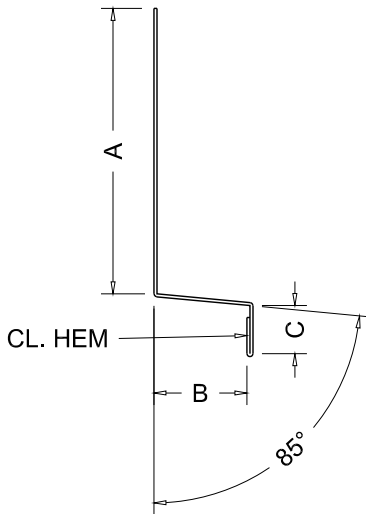


P.O. No.: _____

Customer: _____ Contact: _____ Date: _____

Job Name: _____ Material: _____

SOLDER ALL CONNECTIONS



MARK	QTY	A	B	C	LENGTH

HEAD FLASHING
ALL DIMS I.D.
LENGTHS UP TO 120"

MATERIAL

- 20 OZ COPPER
- 24 GA GALVANIZED STEEL
- 24 GA TYPE 316 2B STAINLESS STEEL